



4-HOLES 7mm DIA

BEACONS

LOW PROFILE LED BEACON



Application

These innovative LED beacons are suitable for forklift trucks, battery powered vehicles, industrial sweepers and cleaners and all types of industrial equipment.

Benefits

- Ultra low profile design
- 12 Volt and Multi-Voltage 24-100 Volts DC
- High intensity flash
- Avoids operator dazzle
- Can be mounted horizontally or inverted
- Ultra low power consumption
- Vibration protected circuit
- No interference with guidance or data systems
- High impact polycarbonate amber lens with ABS base
- Totally maintenance free
- Weatherproof to IP65
- 60 flashes per minute (typically)
- 3 Bolt Fixings
- 1 year guarantee
- Ex-stock availability

Options

- 12 Volt dedicated voltage beacons for IC Engined vehicles and also Industrial Sweepers & Cleaners.
- 24-100 Volt Multi-Voltage Beacons for all electric materials handling vehicles and 24 volt IC engined vehicles.
- Optional 180° directional lighting available by special order.
- Single bolt fixings (three bolt as standard) & magnetic base fixings compatible with existing Curtis range of Multi-Voltage Xenon Beacons.

DESCRIPTION

A range of very low profile, high efficiency LED Safety Beacons with solid state technology. Extremely low current consumption and unprecedented reliability.

WARRANTY

One Year from date of delivery

CURTIS INSTRUMENTS (UK) LTD • 51 GRAFTON STREET • NORTHAMPTON • NN1 2NT • TEL 44 (0) 1604 629755 • FAX 44 (0) 1604 629876
E.MAIL: e-mail@curtisinst.co.uk

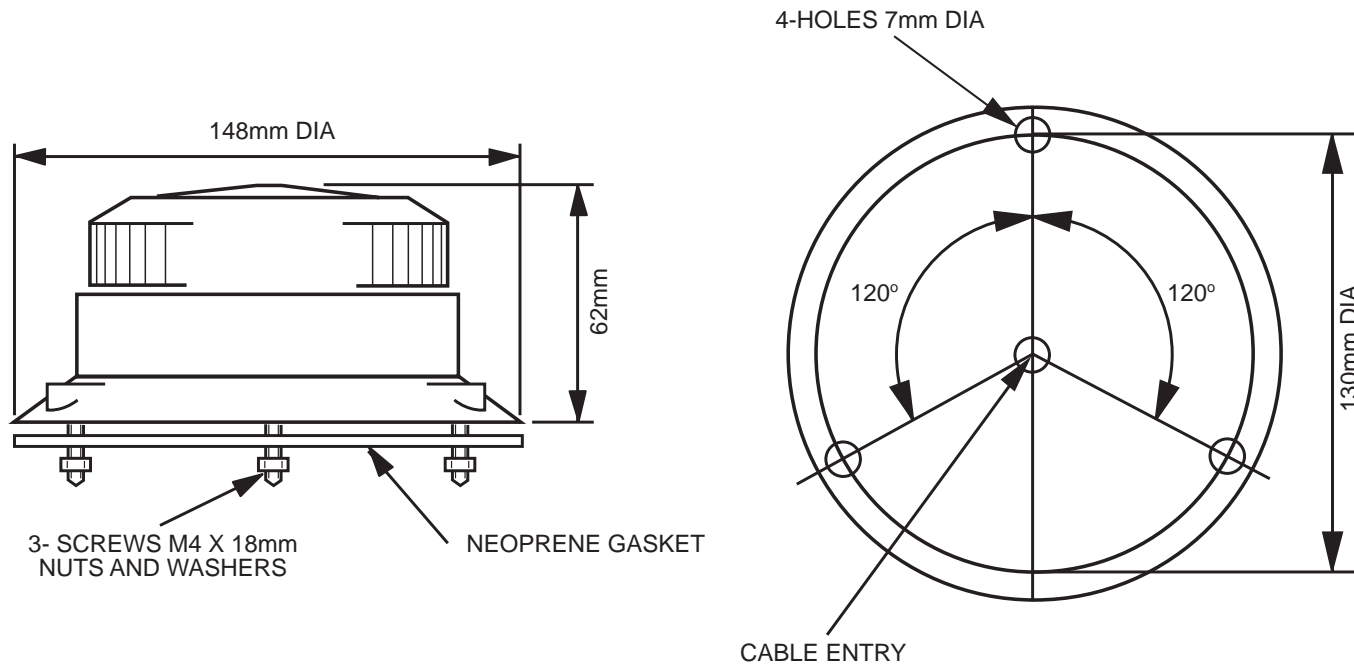
CURTIS INSTRUMENTS AB • ELVÄGEN 11 • S-443 61 • STENKULLEN • SWEDEN • TEL 46 (0) 302 22500 • FAX 46 (0) 302 23677

CURTIS INSTRUMENTS (INDIA) • AVANI APARTMENT NO.7 • 1206 • B/7 APTE ROAD • SHIVAJI NAGAR • PUNE • 411004 • INDIA
TEL 91 (0) 212 321288 • FAX 91 (0) 212 329192

www.curtisinst.com



Dimensions (mm)



Specifications

Operating Temperature : -20°C to 50°C (except above 80V = 40°C)

Current Consumption (average):

12V 360°	12V 180°	24-100V 360°	24-100V 180°
48mA	24mA	24mA	12mA

CE Compliance: EMC Directive 89/336/EEC

Low Voltage Directive 73/23/EEC (where applicable)

UK Reference numbers

- SB487-130 24-100V 360° LED Beacon
- SB487-131 Metal Guard Black
- SB487-132 12V 360° LED Beacon
- SB487-133 12V 180° LED Beacon
- SB487-134 24-100V 180° LED Beacon
- SB487-150 Single Bolt Fixing Kit

Specification subject to change without notice 8866-LT/CS/4/98/1/3M