

MULTI VOLTAGE LED SPOT LAMP

RED / BLUE ARROW SPOT LAMP



DESCRIPTION

A 12/48V low power draw LED Spot lamp, with 300 lumen output on a single bolt fixing, featuring a narrow spreading beam with directional arrow.

APPLICATION

LED Pedestrian Spot Lamps are designed specifically for material handling applications to provide a visual, directional warning for pedestrians in the vicinity of mobile equipment.

FEATURES

- Very low footprint.
- LED technology with low power consumption.
- 300 lumens light output.
- Narrow spot beam projects a directional arrow onto the floor, indicating the vehicle's approach.
- Aluminium housing with polycarbonate lens.
- Two year warranty.
- Mounting bracket supplied.

SPECIFICATIONS

- 12-48 VDC.
- Cable length 500mm.
- IP67 rated.
- Operating temperature: -30°C to +55°C.
- Weight: 450g.
- Estimated life span >30,000 hours.

QUALITY

Meets 2004/10/EC Directive.

Meets 2006/95/EC Directive.

Recognized per ECE R10 Regulation.

RoHs recognized.

CE recognized.

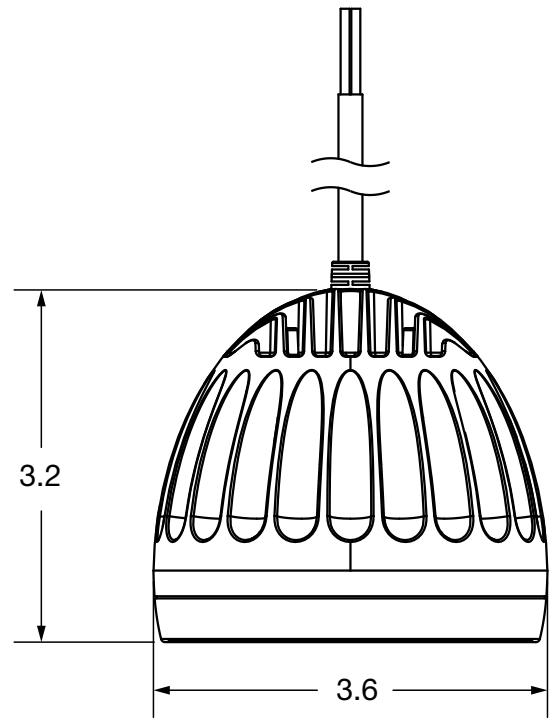
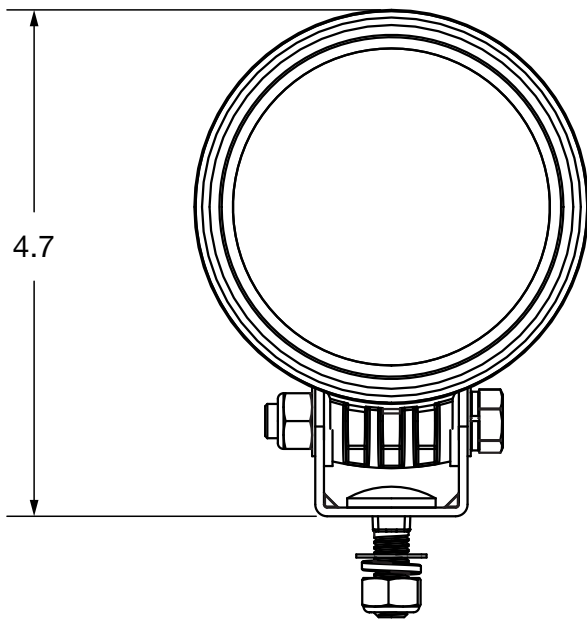
CURTIS INSTRUMENTS, (UK) LTD.
5 UPPER PRIORY STREET
NORTHAMPTON NN1 2PT, ENGLAND
TEL 44 (0) 1604-629755
FAX 44 (0) 1604-629876

BLUE ARROW SPOT LAMP

MODEL CHART

P/N	MODEL	LUMINOUS FLUX lm	POWER W	VOLTAGE RANGE	CURRENT A	
					12V	48V
18438379	Blue Arrow LED Spot Lamp 12/48V	300	9	12-60 VDC	0.7	0.2
18438393	Red Arrow LED Spot Lamp 12/48V	300	9	12-60 VDC	0.7	0.2

DIMENSIONS mm



WARRANTY Two year limited warranty from time of delivery.

The Curtis Difference 
You feel it when you drive it

