

MULTI VOLTAGE LED SPOT LAMPS

BLUE SPOT LAMP



CURTIS



DESCRIPTION

A 12/48V low power draw LED Spot lamp on a single bolt fixing, with a 300 lumen output projecting a ball of coloured light onto the warehouse floor.

APPLICATION

These LED Spotlights provide a visual warning for pedestrians in the vicinity of materials handling equipment like Forklift Trucks. These lights project a bright, 300 lumen spot beam onto the ground, either in front or to the rear of an approaching vehicle, providing an advanced visual warning to pedestrians working nearby. This safety spot lamp is especially useful where blind corners or warehouse racking is present.

FEATURES

- Very low footprint
- Bright spot beam projects a "ball of light" onto the floor, indicating an approaching vehicle
- High quality aluminium housing with impact resistant polycarbonate lens
- 300 Lumen spot beam
- Mounting bracket provided
- Colours: Blue or Red

SPECIFICATIONS

- IP67 rated
- 12-48VDC
- Dimensions: 121mm x 143mm x 65mm (h, w, d)
- Operating temperature: -40 C to + 65 C
- Weight: 715g

QUALITY

Complies with Directive 2004/10 / EC

Complies with Directive 2006/95 / EC

Approved according to ECE Regulation R10

RoHS

CE

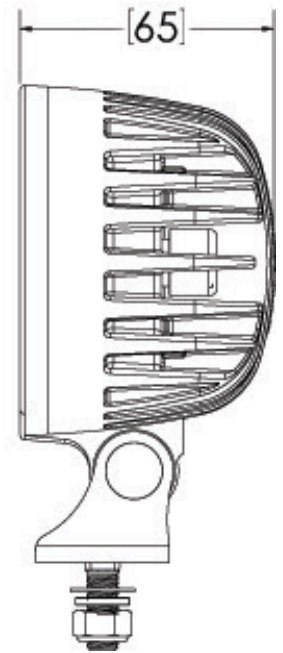
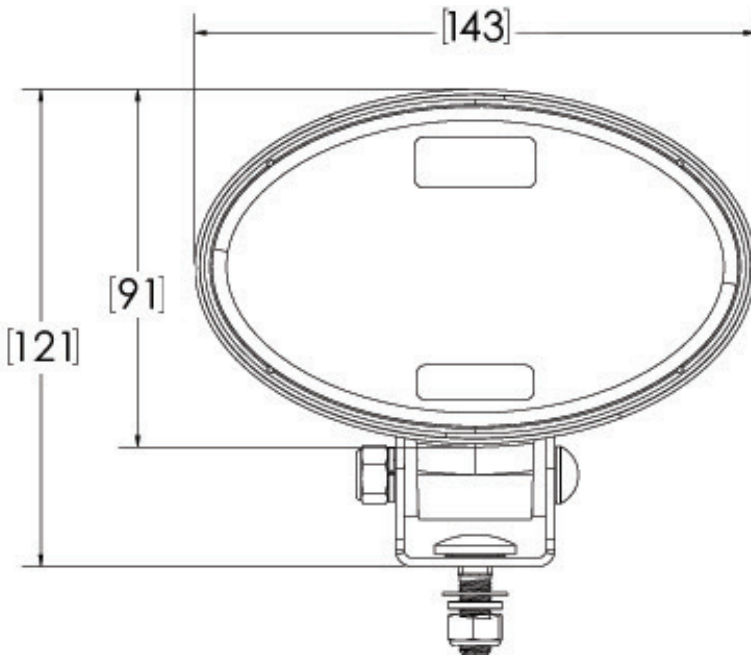
CURTIS INSTRUMENTS, (UK) LTD.
5 UPPER PRIORY STREET
NORTHAMPTON NN1 2PT, ENGLAND
TEL 44 (0) 1604-629755
FAX 44 (0) 1604-629876

BLUE SPOT LAMP

MODEL CHART

P/N	MODEL	LUMINOUS FLUX lm	POWER W	VOLTAGE RANGE	CURRENT A	
					12V	48V
18438363	Blue Spot LED Lamp 12/48V	300	12	12-60 VDC	1	0.25
18438380	Red Spot LED Lamp 12/48V	300	12	12-60 VDC	1	0.25

DIMENSIONS mm



WARRANTY Two year limited warranty from time of delivery.

The Curtis Difference
You feel it when you drive it




is a trademark of Curtis Instruments, Inc.

Specifications subject to change without notice

©2017 Curtis Instruments, Inc.

50280 REV A 05/17