

MULTI VOLTAGE LED WORKLAMPS

COMBINATION WORKLAMP



DESCRIPTION

This flexible worklamp combines an LED flood beam headlight/worklamp and amber directional indicator, providing 3 functions, incredible brightness and versatility, in a single unit. The durability and high quality make it a flexible and affordable addition to your vehicle.

APPLICATION

This worklamp is designed for use on all battery powered vehicle types throughout the materials handling market.

PART NUMBER

- 18438354 – 12-24V Worklamp
- 18438357 – 12-48V Worklamp
- 18435344 – Bracket, Left Hand Side
- 18435345 – Bracket, Right Hand Side

WARRANTY

Two year limited warranty from time of delivery.

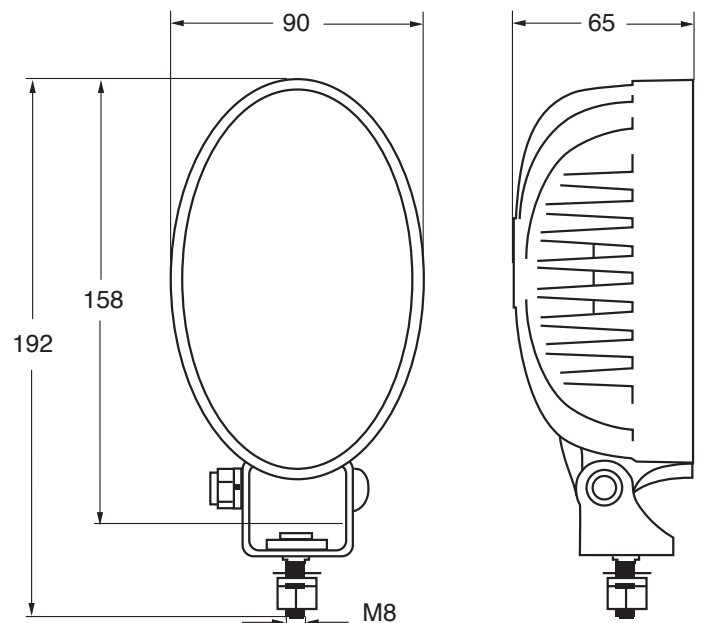
FEATURES

- 5 x 15W headlight LEDs, 3 x 9W directional LEDs.
- Powerful worklamp setting.
- High quality cast aluminum housing and PMAA polycarbonate lens.
- Fully sealed.
- LED technology with low power consumption.
- Light angle adjustment.
- Fixing brackets available for universal mounting.

SPECIFICATIONS

- 192mm (H) x 90mm (W) x 65mm (D).
- IP69 rated.
- Operating temperature -40 to +50°C.
- Estimated lifespan 30,000 hours.
- Certification: CE certified, EMC E11 10R-035715.
- Cable length: 500mm.

DIMENSIONS mm



CURTIS INSTRUMENTS, (UK) LTD.
5 UPPER PRIORY STREET
NORTHAMPTON NN1 2PT, ENGLAND
TEL 44 (0) 1604-629755
FAX 44 (0) 1604-629876

www.curtisinst.co.uk • info@curtisinst.co.uk

