

SD200A

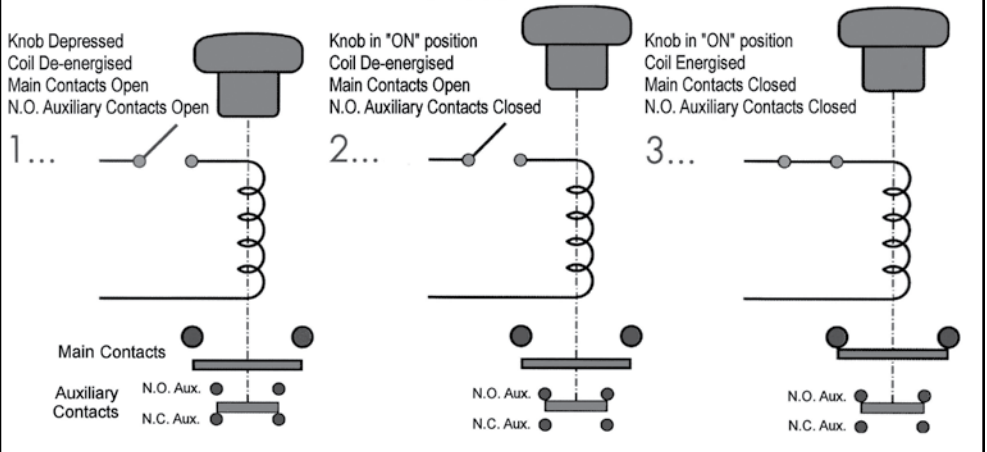


DESCRIPTION

Albright International announces a new addition to the ED & SD ranges of Battery Disconnection Switches: SD200 – This replaces the SD150 series.

The SD200 combines the dual function of a manual disconnect and coil operated line contactor. The benefits of this design include compact size and reduced installation costs combined with an electrical capacity sufficient for most small and medium size electric vehicles.

OPERATING MODES FOR SD200



DIMENSION DRAWINGS

